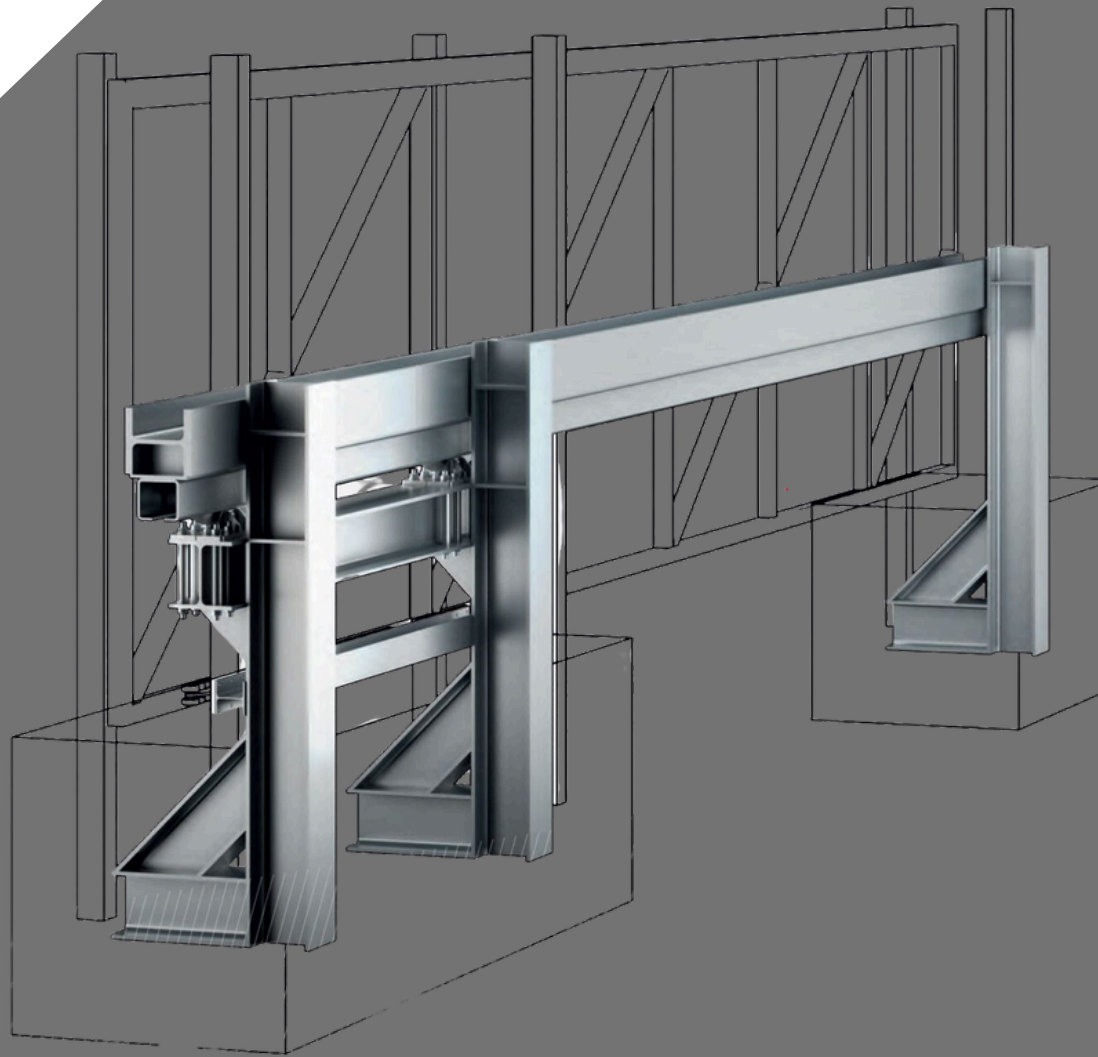
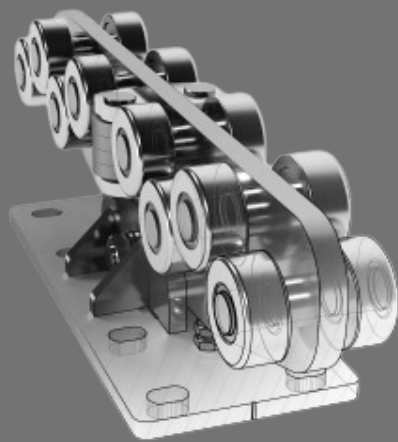


IDEAL

FENCING & GATES



NOWAY.

HOSTILE VEHICLE MITIGATION GATE

THE CRASH RATED CANTILEVER GATE - NOWAY - GUARANTEES A HIGH SENSE OF PROTECTION, THE IDEAL SOLUTION IN ANY SITUATION WHERE A CERTIFIED AND TESTED HIGH LEVEL OF SECURITY IS A MUST. NOWAY GIVES THE GREATEST FLEXIBILITY OF GATE CLADDING DESIGN, ALLOWING THIRD PARTY PROPRIETARY FACADES TO BE INTEGRATED INTO THE GATE.

CERTIFIED: ASTM F2656 - M50 - P1 | IWA 14-1:2013 | PAS68:2013

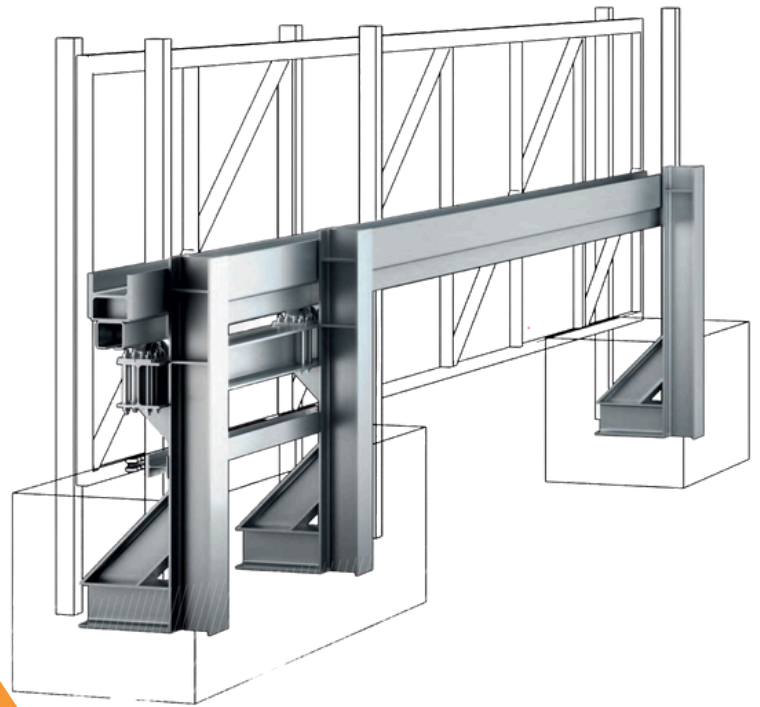
GET IN TOUCH

Ideal Industries Pty Ltd
ABN: 67 677 680 125

sales@idealgates.com.au
www.idealgates.com.au

8 Bessemer Road,
Bayswater North VIC 3153
(03) 9761 4522

3 Narang Place, St
Marys, NSW 2756
(02) 9675 4448



NOWAY.

AN AUSTRALIAN MADE AND OWNED SOLUTION DESIGNED FOR THOSE SEEKING TO PROTECT THEIR ASSETS FROM VEHICLE ATTACK AND INCURSION.

A HIGH SECURITY AUTOMATIC SLIDING GATE, CAPABLE OF BEING TRANSPORTED AND INSTALLED EASILY, GIVING GREATER PRODUCT ACCESS TO THOSE THAT ARE SEEKING THE ULTIMATE CRASH RATED AUTOMATIC GATE SOLUTION.

What Is NOWAY?

- PAS68:2013 / IWA14.1:2013 / ASTM F2656-M50-P1 Certified Cantilever Gate (7500kg vehicle at 80km/h)
- Max span 7m clear opening / drive through width.
- Overall width of 11.37m in max width configuration.
- Maximum weight is 3640kg in largest configuration.
- Maximum height of 3600mm for the gate leaf.
- Deliverable in pieces or together.
- Able to be finished in HDG, Powdercoat or Wet Spray.
- Mounting flexibility for cladding with any type of gate.
 - Palisade / 358 / Solid Sheeting / Tubular / Timber / Anything that you can think of, can be cladded to the front of NOWAY.
- Automated with intensive duty cycle industrial gate operators.
- Fully compliant with UKCA / CE Standards for automatic gates
- Fully compliant for safety and control of the gate and implements the top level of safety to be installed at all times.
- Ability to be delivered in a standard 40ft container anywhere in the world.

Our Services



Certified Products

Internationally certified, to ensure your gate and end user is completely satisfied with the end product.



Fast Turnaround Manufacturing

In house design, manufacturing, painting, automation and assembly. Our system provides significant delivery advantage over the competition.



Installation Service or Partnership

Ideal can assist with installation or sell direct into the hands of the perimeter security contractor, for installation under instruction from Ideal, reducing costs to the project.



BENINCA
TECHNOLOGY TO OPEN



GET IN TOUCH

Ideal Industries Pty Ltd
ABN: 67 677 680 125

sales@idealgates.com.au
www.idealgates.com.au

8 Bessemer Road,
Bayswater North VIC 3153
(03) 9761 4522

3 Narang Place, St
Marys, NSW 2756
(02) 9675 4448