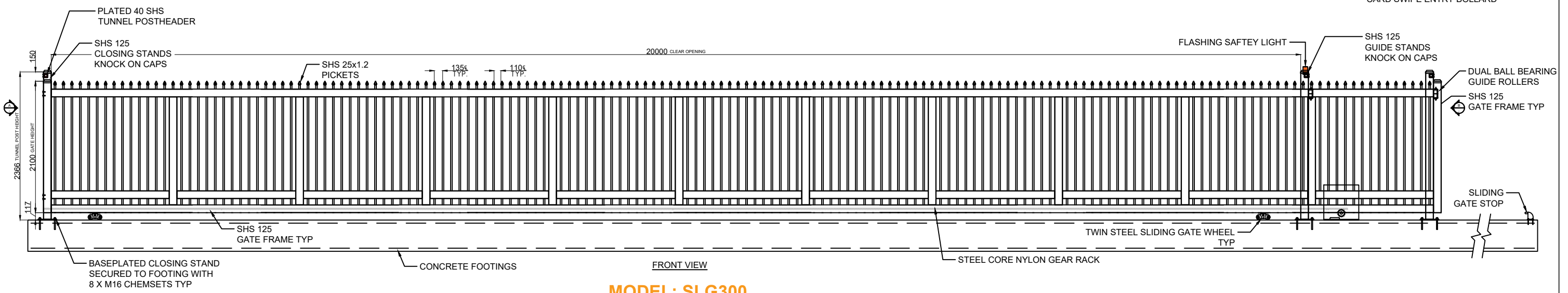
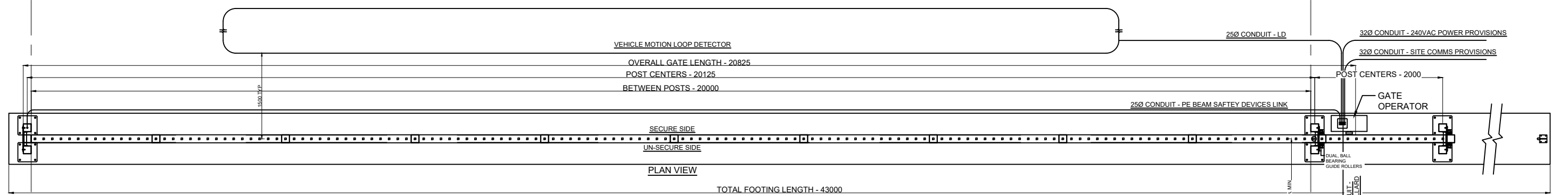
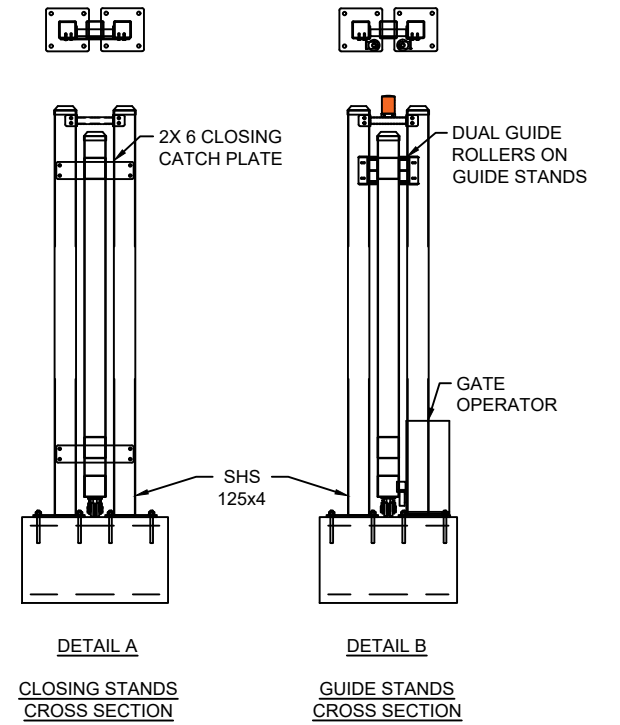


**SLG300 -  
SLIDING GATE**

**NOTE:**  
-Gate and Footings to be Engineered  
as per site requirements  
-43 Metres Total length required for  
Gate installation and Operation  
(20m Configuration)



**MODEL: SLG300  
20M SLIDING GATE**



This drawing includes the principles of design and is submitted by **Ideal Industries Pty Ltd** with the agreement that it not to be reproduced, copied or loaned in part or whole. It is not to be used in any manner that may constitute a detriment directly or indirectly to **Ideal Industries Pty Ltd**. Acceptance of this drawing will be constructed as an agreement to the above.

**Ideal Industries Pty Ltd**  
3 Narang Place  
St Marys, NSW - 2760  
Telephone: (02) 9675 4448  
Email: sales@idealgates.com.au

Dwg No: 20M SLG300 GATE - GA		
Drawn: JG	Checked: JWR	Approved: AP
Date: 17/12/2024	Scale: NTS	

**SLG300 SLIDING GATE  
GENERAL ARRANGEMENT**

A/O No: 00000
Sheet: 1/1
Rev: A